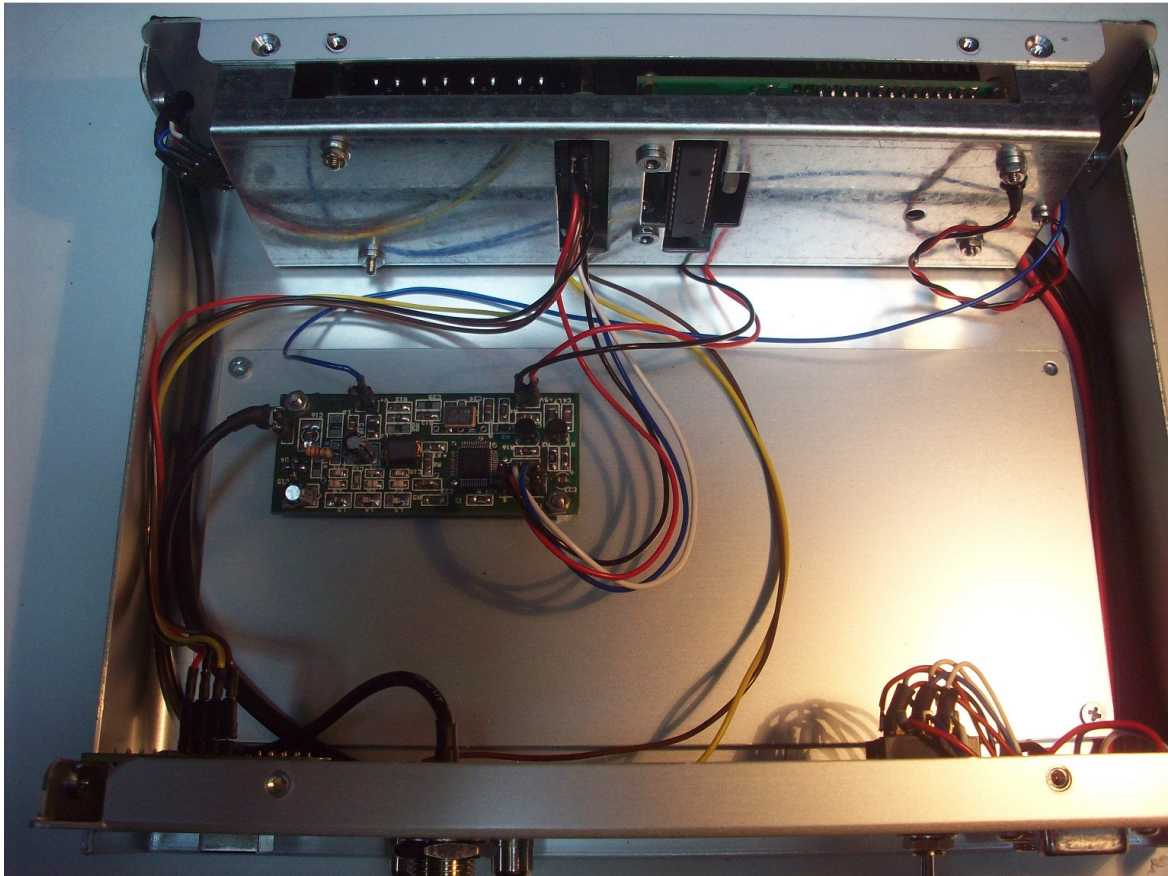
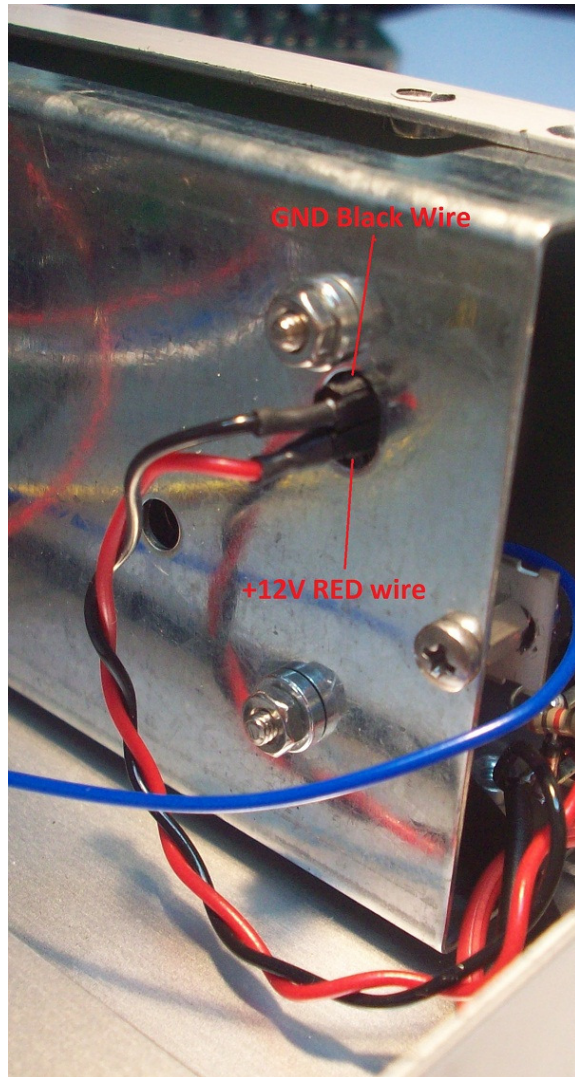


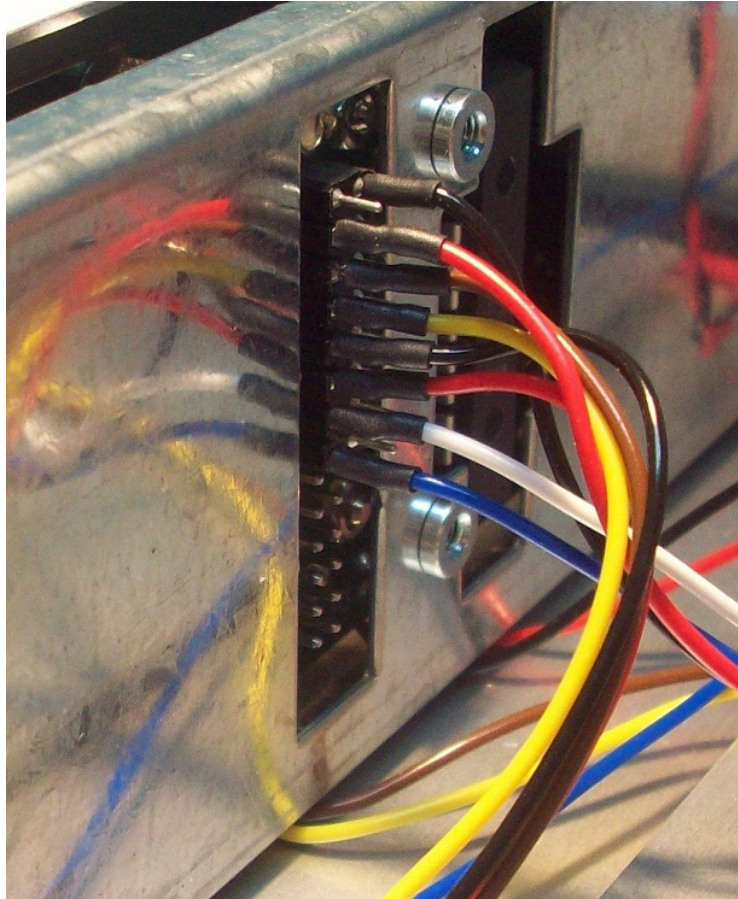
Assembling DDS-4 kit



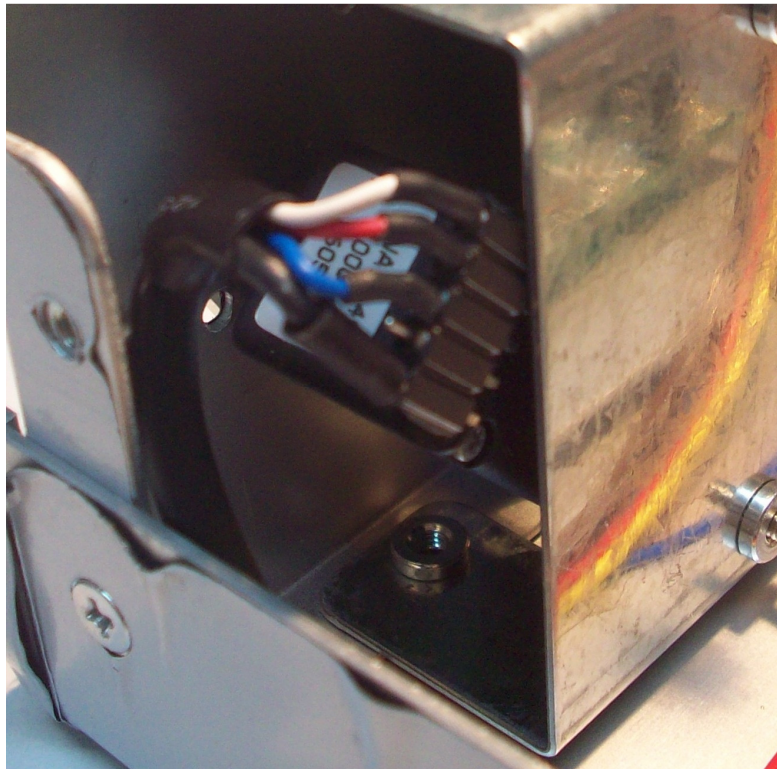
Internal view



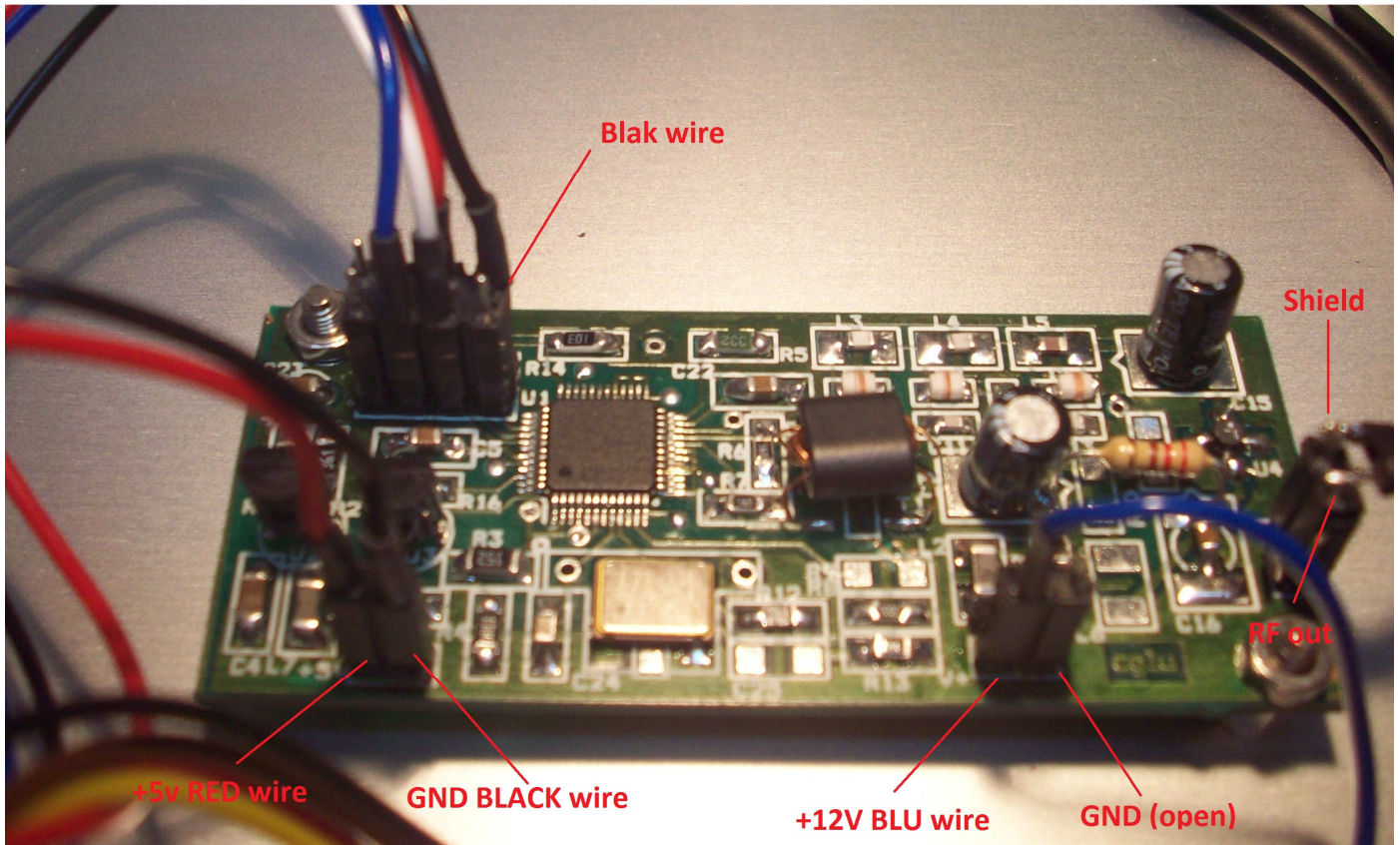
+12V cabling



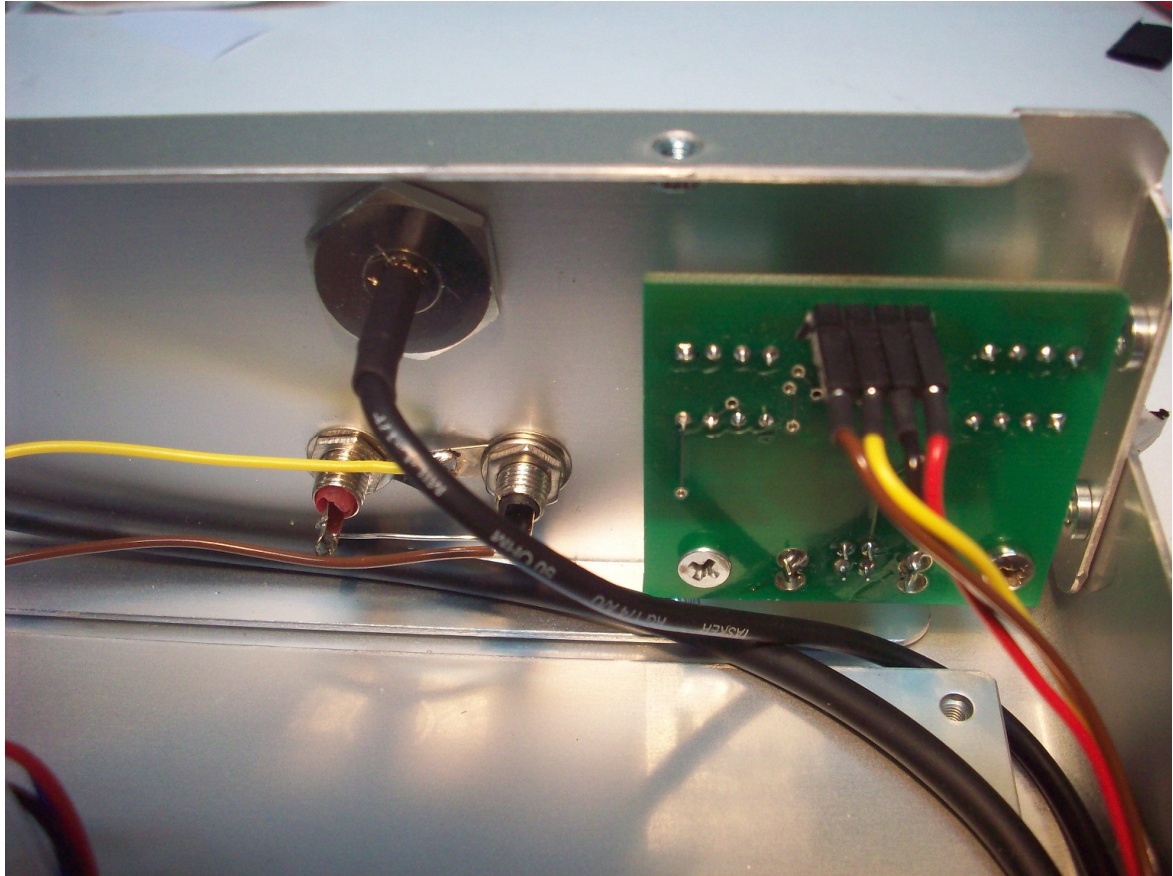
Digital signal cabling



Encoder cabling



DDS cabling



Usb cabling